

Model CAB - Clean Air Booth

Specifications and Technical Data

TYPICAL APPLICATIONS

Source Capture of:

- Welding Smoke and Fumes
- Blasting Particulate
- Grinding Dust
- Powders
- Other Dry Dusts

Features:

- Modular Design with Custom Capability
- Revolutionary Roto-Pulse Filter Cleaning Systems
- Large Capacity Dust Drawers
- Direct Drive, Backward Inclined Blower with TEFC Controls
- After Pulse Cleaning Cycle Standard
- Heavy Duty Construction
- Quiet Power—Sound Levels Lowest in the Industry
- Ductless System

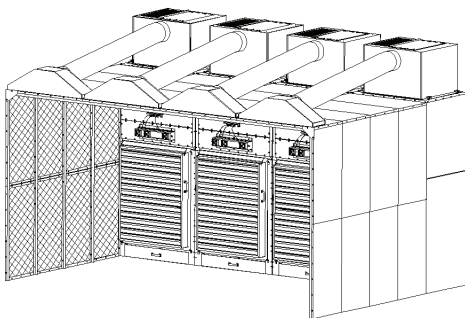
Options:

- Silencer.
- HEPA Afterfilter.
- Variety of Cartridge Filters.
- Magnahelic or Photohelic Gauges.
- Regain Air
- Insulated Wall Panels
- Spark Arresting Inlet
-



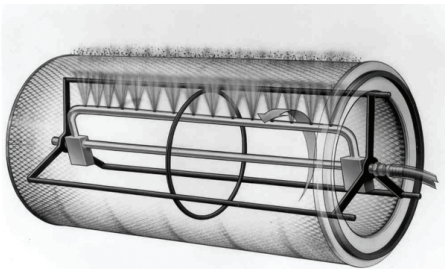
How It Works

Roto-Pulse provides for a much better cleaning of the cartridges. The air is pulsed into a specially designed Stainless Steel rotating tube with pre-drilled holes. As



the air enters this tube, the force of the pulse causes the tube to rotate. While spinning, air exits the pre-drilled holes. The result is that air hits all

of the inside of the cartridge, pulsing dirt particles away from the filter for a much more efficient cleaning cycle.



Specifications subject to change without notice.

Specifications (per single module)

OVERALL DIMENSIONS: 97.5" H X 48" W X 36" D w/Standard Exhaust Grille (SINGLE MODULE)
121.75" H X 48" W X 36" D w/Optional Exhaust Plenum
99.5" H X 48" W X 36" D w/ Optional Regain Outlet

WEIGHT: 815 lbs, (890 lbs shipping weight)

CABINET: 12 / 14 GAUGE WELDED GALVANEALD STEEL WITH EXTERIOR SURFACES GROUND SMOOTH.

FINISH: INDUSTRIAL GRADE TEXTURED BAKED CRIMSON RED ENAMEL PAINT INSIDE AND OUT.

FILTRATION: FIVE EACH, HIGH EFFICIENCY FIRE RETARDANT CARTRIDGES. EACH FILTER HAS 250 SQ. FT. OF MEDIA, 6000 SQ. FT. TOTAL. OTHER FILTERS AVAILABLE.

ROTO-PULSE CLEANING SYSTEM: UNIQUE ROTATING TUBE WITH PRE-DRILLED HOLES. AS AIR IS PULSED INTO THE TUBE, IT ROTATES AND AIR EXITS THE PRE-DRILLED HOLES. THIS COMBINATION PROVIDES A HIGHLY EFFICIENT AND TOTAL CLEANING OF THE CARTRIDGE.

FILTER ACCESS: EASY FRONT ACCESS THROUGH INLET GRILLE FRAME

MOTOR: VARIOUS SIZES AVAILABLE.

BLOWER: VARIABLE SIZING BASED ON APPLICATION.

AIR VOLUME: TYPICALLY 4500 CFM PER MODULE

FILTER CHANGE INDICATOR: MAGNAHELIC OR PHOTOHELIC GAUGE OPTIONAL.

CABINET PRESSURE RATING: +/- 20 INCHES W.C.

CONTROLS: SOLID STATE TIMER BOARD, FACTORY WIRED AND INSTALLED.

AIR CONSUMPTION: FACTORY SET AT 2.7 SCFM @ 90 psi. 3/4" LINE REQUIRED.

AFTER PULSE SYSTEM: STANDARD EQUIPMENT DESIGNED TO CLEAN FILTERS AFTER UNIT IS TURNED OFF. TIMER CAN BE ADJUSTED BETWEEN 0 AND 15 MINUTES.

Sold and Serviced by:

L2675-03/11