

UP TO 2400 LB
CAPABILITY

APPLICATIONS



SINGLE ARM BRACES

The SAB Series offers an ideal solution for restraining suspended equipment, piping, ductwork and electrical cable trays during an earthquake. The SAB Series is designed for use with equipment that does not have external vibration isolation systems. With the SAB Series, non-isolated ductwork, piping and conduits that are rigidly supported can still be seismically restrained.

The electrical system in a building is a very important part of the HVAC system. Should the power be interrupted due to inadequately restrained electrical systems, the HVAC system will be rendered inoperable. While designers typically take great strides to ensure that the mechanical equipment, pipes and ductwork are properly restrained, the electrical system is often overlooked. Any electrical conduit or cable trays used to supply power to the HVAC or to emergency backup systems must also be properly restrained.

VMC single arm braces consist of two brackets that allow the brace a full range of motion in all directions. This provides easy installation and saves on contractor labor costs. The bracing material – typically channel strut or angle steel – is contractor supplied and cut to size in the field.

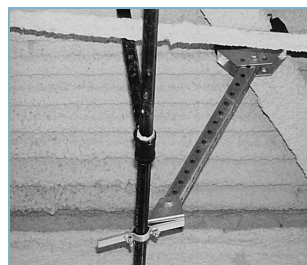
The brackets are available in two sizes and incorporate properly sized and spaced anchor bolt holes. The SAB-1 is designed for attachment to the pipe hanger and anchoring into steel. The SAB-2 incorporates two anchor bolt holes for attachment to concrete. The SAB Series requires only one brace per transverse location and one brace per longitudinal location. The braces are installed at 45° from the horizontal plane of the equipment, and perpendicular to each other at either end of the equipment. The VMC SAB Series strictly complies with national building code requirements and building codes such as IBC2000, IBC2003 and NFPA5000.

FEATURES & BENEFITS

- Zinc-plated steel provides long-life, durability and reliability.
- Several design options will withstand tension loads up to 2400 lbs.
- Complies with national building code requirements such as IBC2000, IBC2003 and NFPA5000.

APPLICATIONS

- Suspended equipment
- Ductwork
- Piping
- Electrical cable trays and conduits
- In-line equipment

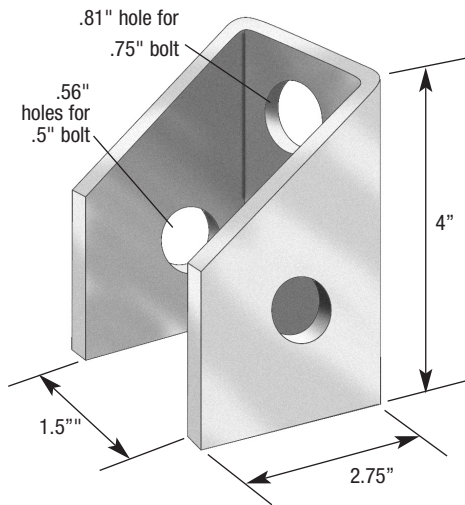


TECHNICAL

SAB-1 SINGLE ARM BRACE SPACING GUIDE - 0.5G

PIPE SIZE	SPACING T* - L*
1	40 - 80 ft.
1 1/4	40 - 80 ft.
1 1/2	40 - 80 ft.
2	40 - 80 ft.
2 1/2	40 - 80 ft.
3	40 - 80 ft.
4	40 - 80 ft.
5	40 - 40 ft.
6	40 - 40 ft.
8	40 - 40 ft.
10	40 - 40 ft.
12	30 - 30 ft.
14	20 - 20 ft.
16	20 - 20 ft.
18	20 - 20 ft.

SAB-1 for equipment and steel structure attachment

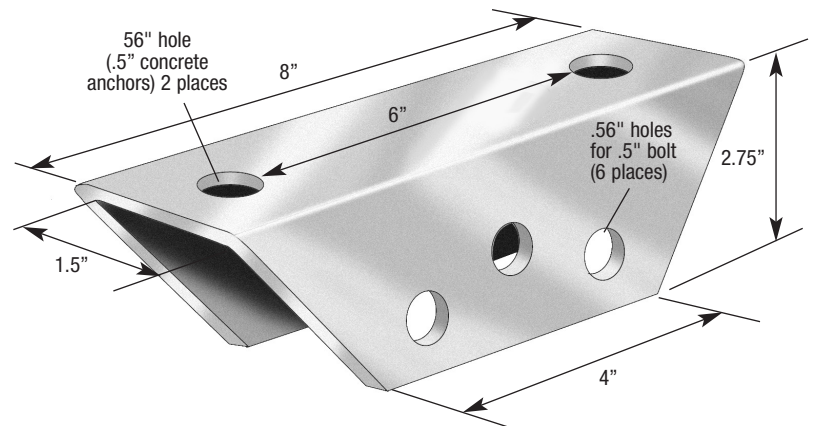


*T = Transverse *L = Longitudinal

SAB-2 SINGLE ARM BRACE SPACING GUIDE - 1G

PIPE SIZE	SPACING T* - L*
1	40 - 80 ft.
1 1/4	40 - 80 ft.
1 1/2	40 - 80 ft.
2	40 - 80 ft.
2 1/2	40 - 80 ft.
3	40 - 80 ft.
4	40 - 80 ft.
5	40 - 40 ft.
6	40 - 40 ft.
8	20 - 20 ft.
10	20 - 20 ft.
12	10 - 10 ft.
14	10 - 10 ft.
16	10 - 10 ft.
18	N/A

SAB-2 for concrete anchorage



*T = Transverse *L = Longitudinal

