

APPLICATIONS



SEISMIC ROD BRACING CLAMPS

The SRBC Series are seismic rod bracing clamps used as additional support for bracing threaded rods used to suspend piping, ducts, conduit and other HVAC equipment.

Seismic forces act in all directions. Threaded rods are sized purely for gravity loads, making it necessary to add additional rod bracing to prevent buckling of the rods. Uplift forces can easily exceed the dead load on

the rod – resulting in compressive forces. If not braced, the rod can buckle and fail. With the addition of the VMC SRBC Series bracing clamp, angle steel bracing can be quickly and easily added to the rod.

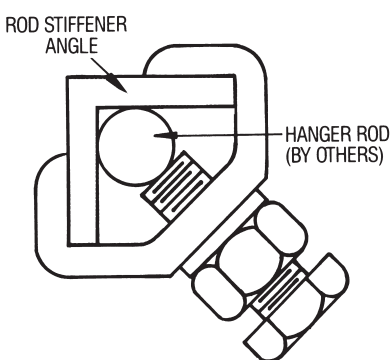
When vibration hangers are utilized, VMC recommends attaching the hanger directly to the overhead structure and adding an uplift washer under the box to prevent the spring from becoming unloaded.

APPLICATIONS

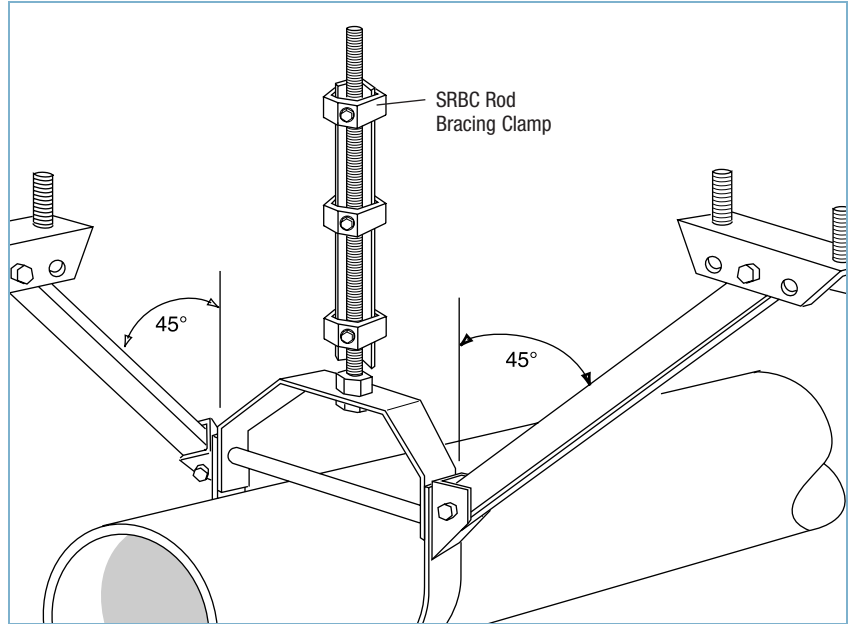
- Suspended equipment
- Air ducts
- Piping
- Conduits

TECHNICAL

CLAMP SIZING TABLE		
SIZE	USED WITH ANGLE SIZE	HANGER ROD SIZES
SRBC-1 1/4	1" x 1" x 1/4"	3/8", 1/2", 5/8"
SRBC-1 1/2	1 1/2" x 1 1/2" x 1/4"	3/4", 7/8", 1", 1 1/8"



NOTE: Three clamps are required per rod. Clamps are furnished complete with bolt and nut as illustrated.



VERTICAL ROD STIFFENER INSTALLATION DETAILS					
ROD DIAMETER, ins.	HANGER RODS OVER	STEEL ANGLE SIZE, ins.	VMC ROD BRACING CLAMP MODEL #	CLAMP SPACING, ins.	MIN. # CLAMP PER STIFFENER
3/8	20	1 x 1 x 1/4	SRBC-1	16"	3
1/2	25	1 x 1 x 1/4	SRBC-1	20"	3
5/8	31	1 x 1 x 1/4	SRBC-1	12"	3
3/4	37	1 1/2 x 1 1/2 x 1/4	SRBC-1 1/2	16"	3
7/8	40	1 1/2 x 1 1/2 x 1/4	SRBC-1 1/2	12"	4
1	50	1 1/2 x 1 1/2 x 1/4	SRBC-1 1/2	16"	4
1 1/8	62	1 1/2 x 1 1/2 x 1/4	SRBC-1 1/2	20"	4