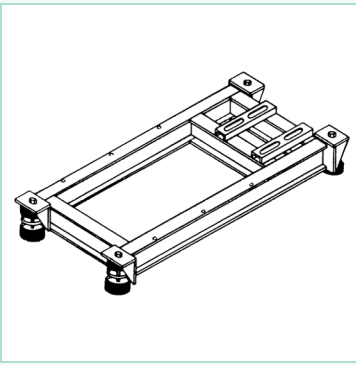


# WFB/ WFR SERIES



0.50 - 5.00"  
DEFLECTION

# CURBS & BASES

## APPLICATIONS



## CUSTOM-BUILT WIDE FLANGE BASES

VMC manufactures a complete line of fan and motor bases that should be specified for all belt driven centrifugal fans that do not require a concrete inertia block. Available with an adjustable motor slide rail, VMC WFB Series bases are designed to maintain proper drive alignment and resist starting torque without the use of restraining snubbers.

Whenever mechanical equipment lacks the proper rigidity for point support, VMC WFR Series rails should

be utilized. Like our bases, WFR Series rails are available in wide flange, angle, or channel steel and can be designed for use with any isolator in our product line.

When an equipment submittal drawing is provided to the VMC Engineering department, a properly designed base or rail drawing, indicating isolator model numbers is produced for customer approval. Once approved, drawings are provided to our manufacturing department for fabrication and shipment.

## FEATURES & BENEFITS

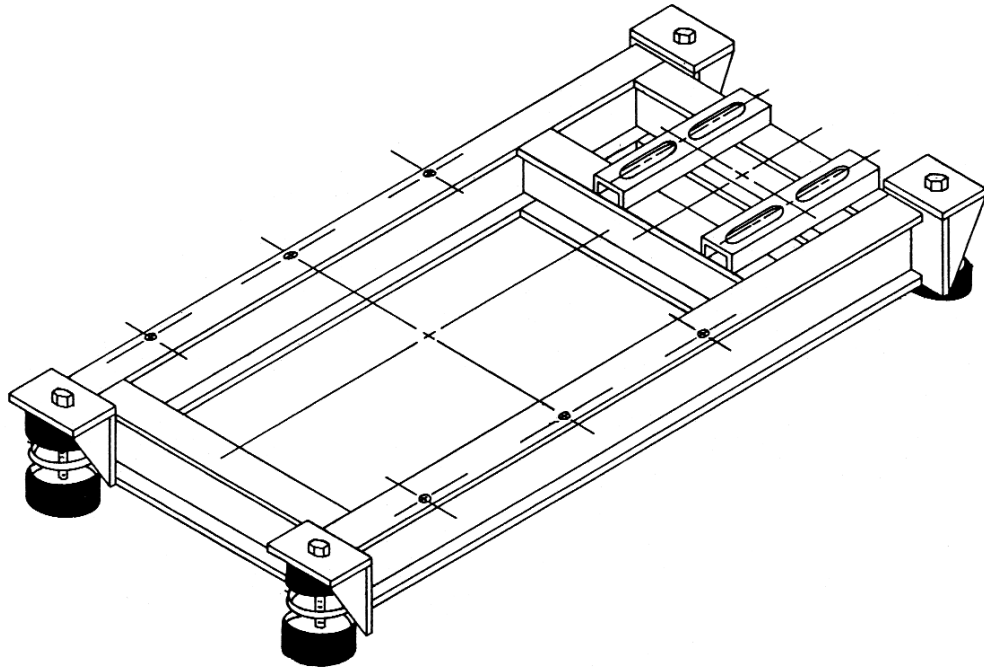
- Complete line of fan and motor bases can be sized to meet a wide range of equipment requirements.
- Wide flange steel beams and rails with spring or elastomeric isolation mounts prolong equipment life.
- Height-saving brackets limit elevation and provide additional equipment stability.
- Simplified design permits quick and easy installation.
- Structural steel rails are available in wide flange, angle or channel steel designs to meet a wide range of equipment requirements.

## APPLICATIONS

- Fans
- Pumps
- Compressors
- Air handling units
- HVAC equipment
- Package boilers and steam generators
- Chillers

## TECHNICAL

WFB



WFR

